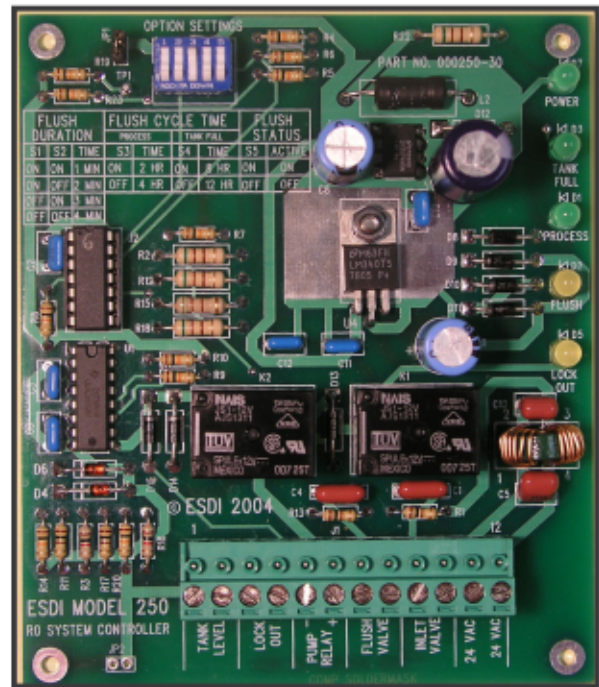
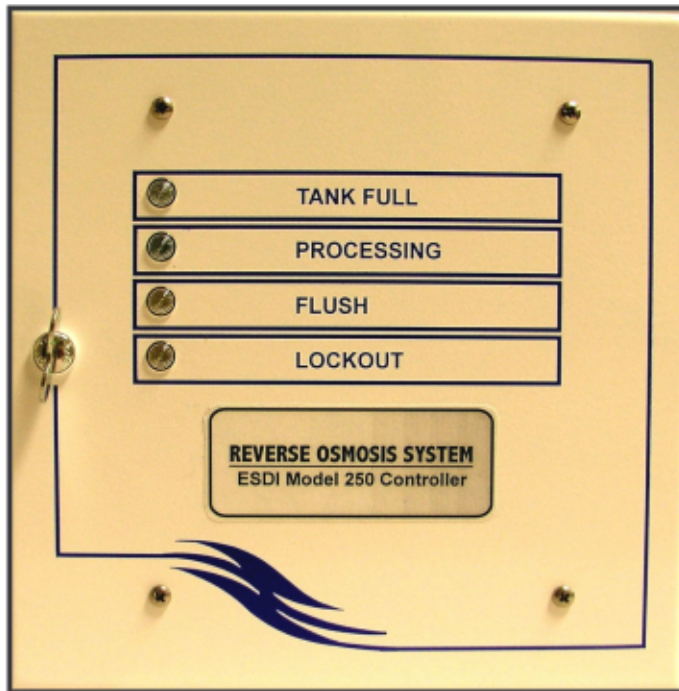


NEW !

Reverse Osmosis System Controller ESDI Model 250



Complete with Enclosure,
3HP Relay, & Power transformer

Only
\$129.⁰⁰
(O.E.M.)

Low Price !

Board Only
\$49.⁰⁰
(O.E.M.)

The ESDI Model 250 Reverse Osmosis System Controller is a low priced electronic circuit board that performs all of the functions necessary to operate an industrial/commercial reverse osmosis water purification system. This dedicated control board incorporates features and options that make it cost effective and easy to use.

Features:

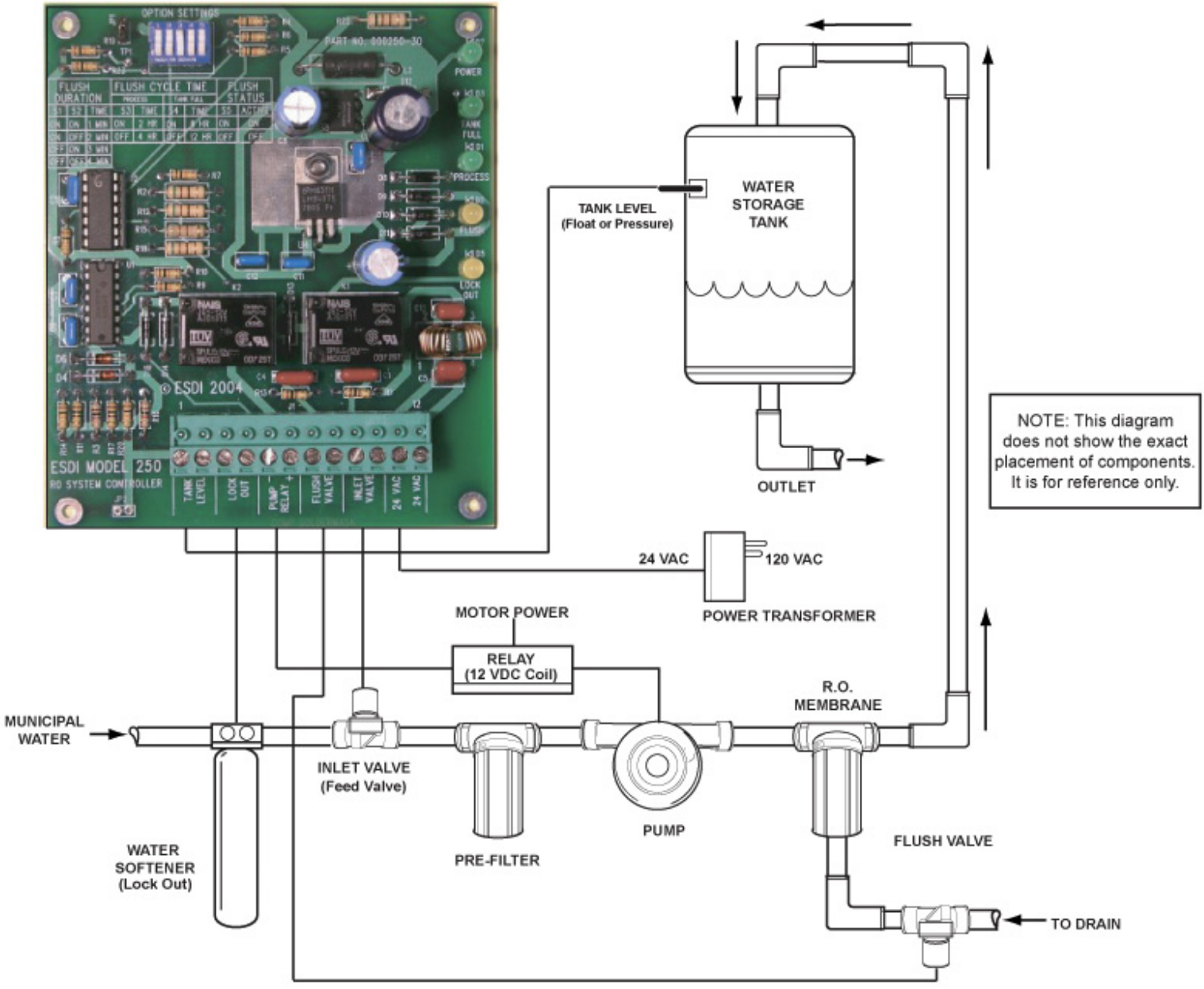
- Maintains water storage tank level, using hysteresis type water float.
- Automatic membrane flush cycles with selectable times and frequencies.
- Lockout input for feed water pressure, TDS monitor, & water softener pre-processor.
- Controls membrane Flush Valve & water Inlet (Feed) Valve (24VAC rated).
- Pump relay coil driver output rated at 12VDC, 300ma.
- LED Status display.
- Board Power Requirement: 24VAC, 50/60 Hz , 700 ma (see manual)
- Board Size: 4" X 5" Enclosure Size: 6.5" X 6.5" X 3.5"

All of our products come with a Two-year Warranty. Your satisfaction is guaranteed.

Electronic Systems Design, Inc.

1010 North Maclay Avenue - San Fernando, California 91340 USA
Phone: (818) 365-0864 - Fax: (818) 365-1308 - Web: www.esdi.net

REVERSE OSMOSIS (RO) WATER PURIFICATION SYSTEM



Reverse Osmosis Water Processing System using the ESDI Model 250 RO Control Board.
 Electronic Systems Design, Inc., San Fernando, CA 91340